

TT-700

Treatment Table

TT Techniques
Tables.com



OVERVIEW

The Newly redesigned Techniques TT-700 Treatment Table offers better performance with smooth, quick, quiet and easier to engage drop sections, which derived through extensive research while participating in Thompson Technique Seminars. This table eliminates the need to bend over while treating patients resulting in less stress on the practitioners back. Simply raise or lower the table from

17"-34" (43cm-86cm) and adjust with ease. All Techniques Tables are manufactured with the highest grade materials for durability and reliability. The new modern designed base along with welded steel construction make for a strong and sturdy frame. All cushions are made with a premium health care grade upholstery and high density foam allowing for minimal effort adjusting, while providing maximum patient comfort.

With many different features and options available, this table is suitable for many uses, such as Chiropractic, Osteopathic, Naturopathic, Acupuncture, ART and can also be customized to accommodate any health care practitioners needs.

This stylish modern treatment table will enhance the appearance of any existing

TT-700
TREATMENT TABLE
Shown with 4 optional drop sections and side extensions



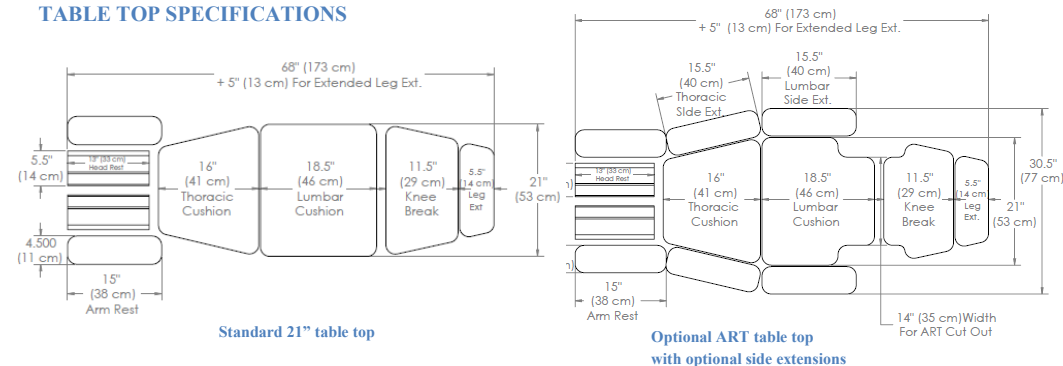
STANDARD FEATURES

- 21" (53cm) wide treatment surface
- Standard height 17"-34" (43cm-86cm)
- Electric Elevation with 2 foot pedals included
- High density foam
- Multidirectional head piece (elevation and tilt, two split cushions with arm rests)
- Elevating thoracic, lumbar and knee break sections with leg extension
- Foot activated drops with pedals located on both sides of the table (when drop section is added)
- Levelling floor glides
- Sturdy steel construction
- Wide assortment of colours in health care grade upholstery
- Table is fully upgradeable at any time, upgrades simply bolt on

OPTIONS

- **TT-200** Cervical drop section
- **TT-201** Upper thoracic drop section
- **TT-202-1** Thoracic elevating drop section
- **TT-202-2** Thoracic drop section (Drop Only)
- **TT-203-1** Lumbar elevating drop section
- **TT-203-2** Lumbar drop section (Drop Only)
- **TT-260** Side extensions (4 cushions widen the table surface area when needed)
- Table can be custom made to specific needs
- Inter-changeable head rest

TABLE TOP SPECIFICATIONS



Standard 21" Table Top



TT-750

Multi-Therapist Treatment Table

TT Techniques
Tables.com



OVERVIEW

The Newly redesigned Techniques TT-750 Multi-Therapist Treatment Table is the most versatile table on the market today. It is designed for today's multidisciplinary or rehabilitation practice. This table eliminates the need to bend over while treating patients resulting in less stress on the practitioners back. Simply raise or lower the table from 19" – 36" (48cm - 91cm) and adjust with ease. This "hybrid" table is a chiropractic, osteopathic, massage, physiotherapy, acupuncture, naturopath, podiatry table or chair combined into one. The cushions are made with a premium health care grade upholstery and come with a standard medium density foam to allow for maximum patient comfort yet still providing a firm surface for easy adjusting.

The table functions as both an examination chair or treatment table which is ideal for clinics where multi practitioners share a room and treatment table. This table can also be customized to accommodate any health care practitioners needs. All Techniques Tables are manufactured with the highest grade materials for durability and reliability. The new modern designed base along with welded steel construction make for a strong and sturdy frame. This stylish modern treatment

TT-750
MULTI-THERAPIST TREATMENT TABLE
Shown with standard features plus optional
thoracic and lumbar drop sections



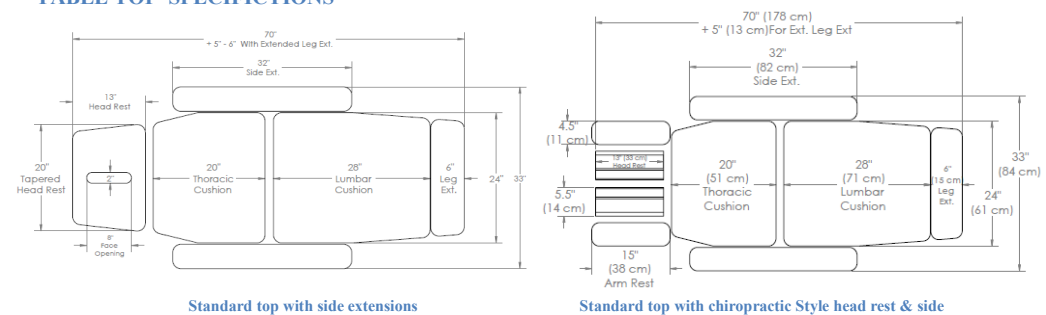
STANDARD FEATURES

- Treatment surface 24" (61cm) wide
- Standard height 19"-36" (48-91cm)
- Electric Elevations with 2 foot pedals included
- Medium density foam
- Tilting one piece cushion head rest with face cradle
- Back Rest (allows the therapist to use the table as both an examination table and chair)
- Thoracic and lumbar elevating sections with leg extension
- Levelling floor glides
- Sturdy steel construction
- Wide assortment of colours in health care grade upholstery
- Table is fully upgradeable at any time, upgrades simply bolt on

OPTIONS

- **TT-200** Cervical drop section (chiropractic head rest style only)
- **TT-202-4** Thoracic elevating drop section (foot activated)
- **TT-204-1** MT lumbar elevating drop section (hand activated)
- **TT-204-2** MT lumbar drop section (drop only) (hand activated)
- **TT-251** Chiropractic style head rest (elevation & tilt. 2 split cushions with arm rests)
- **TT-262** MT Side extensions (2 cushions used to widen the table surface as needed & turn into chair arms when back rest is in up position)
- **TT-280** High density foam
- Table can be custom made to specific needs
- Inter-changeable head

TABLE TOP SPECIFICATIONS



TT-750
MULTI-THERAPIST TREATMENT TABLE
Shown with chiropractic head rest plus optional
cervical, thoracic and lumbar drop sections



TT-500 Treatment Table

TT Techniques
Tables.com

chiroform[®]

OVERVIEW

The Newly redesigned Techniques TT-500 Treatment Table offers better performance with smooth, quick, quiet and easier to engage drop sections, which derived through extensive research while participating in Thompson Technique Seminars. This series of tables offer two types of height adjustability. Choose our manual pump elevation to raise and lower your treatment table with no wires or cords to hassle over. Choose our electric elevation model and enjoy effortless height adjustability at a push of a button. All 500 series treatment tables offer an adjustable height range from standard 19"-26" (48cm-66cm) or optional 23"-30" (58cm-76cm).

All Techniques Tables are manufactured with the highest grade materials for durability and reliability. The new modern designed base along with welded steel construction make for a strong and sturdy frame. All cushions are made with a premium health care grade upholstery and high density foam allowing for minimal effort adjusting, while providing maximum patient comfort.

With many different features and options available, this table is suitable for many uses, such as Chiropractic, Osteopathic, Naturopathic, Acupuncture, ART and can also be customized to accommodate any health care practitioners needs.

TT-500-P
TREATMENT TABLE
Shown with 4 optional drop sections and side extensions



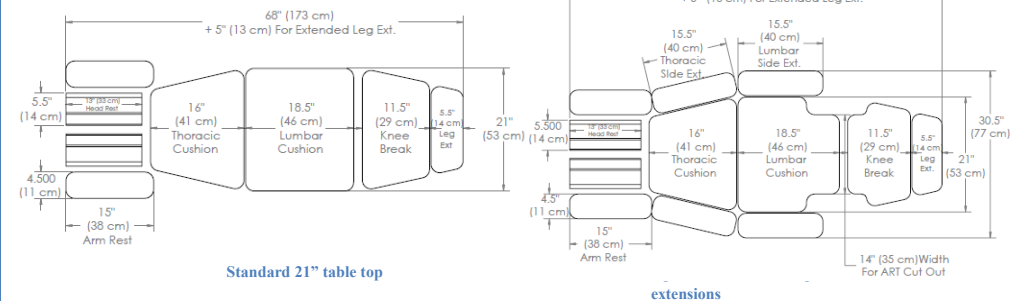
STANDARD FEATURES

- 21" (53cm) wide adjusting surface
- Standard height 19"-26" (48cm-66cm)
- Electric Elevations with 2 foot pedals included (TT-500-E only)
- High density foam
- Multidirectional head piece (elevation and tilt, two split cushions with arm rests)
- Elevating thoracic, lumbar and knee break sections with leg extension
- Foot activated drops with pedals located on both sides of the table (when drop section is added)
- Levelling floor glides
- Sturdy steel construction
- Wide assortment of colours in health care grade upholstery
- Table is fully upgradeable at any time, upgrades simply bolt on

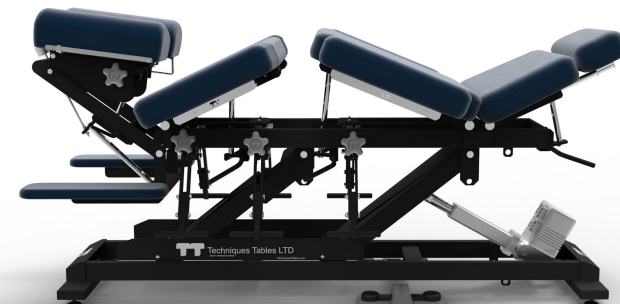
OPTIONS

- **TT-200** Cervical drop section
- **TT-201** Upper thoracic drop section
- **TT-202-1** Thoracic elevating drop section
- **TT-202-2** Thoracic drop section (Drop only)
- **TT-203-1** Lumbar elevating drop section
- **TT-203-2** Lumbar drop section (Drop only)
- **TT-260** Side extensions (4 cushions widen the table surface area when needed)
- Optional height 23"-30" (58cm-76cm)
- Table can be custom made to specific needs
- Custom Top Selection available

TABLE TOP



TT-500-E
TREATMENT TABLE
Shown with 4 drop sections and side extensions



TT-525

Breakaway Treatment Table

TT Techniques
Tables.com

chiroform[®]

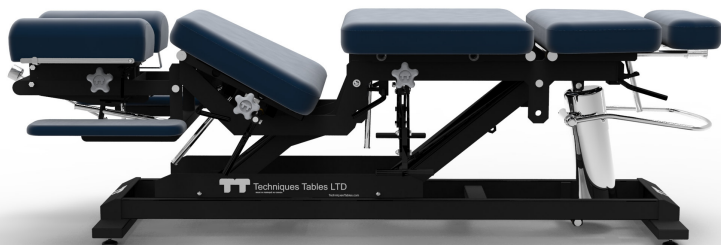
OVERVIEW

The Techniques Model 525 Breakaway Treatment Table is strong and sturdy with the added feature of a 7" thoracic breakaway section to provide comfort to patients with a large abdominal region. Through extensive research done while participating in Thompson Technique Seminars the newly designed smooth, quick, quiet and easier to engage drop sections were incorporated into this table. The TT-525 is available with two types of height adjustability. Choose the manual pump elevation to raise and lower the treatment table with no wires or cords to hassle over. Choose the electric elevation model and enjoy effortless height adjustability at a push of a button. All 500 series treatment tables offer a 7" (18cm) adjustable height range from standard 19"-26" (48-66cm) or optional 23"-30" (58-76cm).

All Techniques Tables are manufactured with the highest grade materials for durability and reliability. The new modern designed base along with welded steel construction make for a strong and sturdy frame. All cushions are made with a premium health care grade upholstery and high density foam allowing for minimal effort adjusting, while providing maximum patient comfort.

With many different features and options available, this table is suitable for many uses, such as Chiropractic, Osteopathic, Naturopathic, Acupuncture, ART and can also be customized to accommodate any health care practitioners needs.

TT-525-P
BREAKAWAY TREATMENT TABLE
Shown with 3 optional drop sections



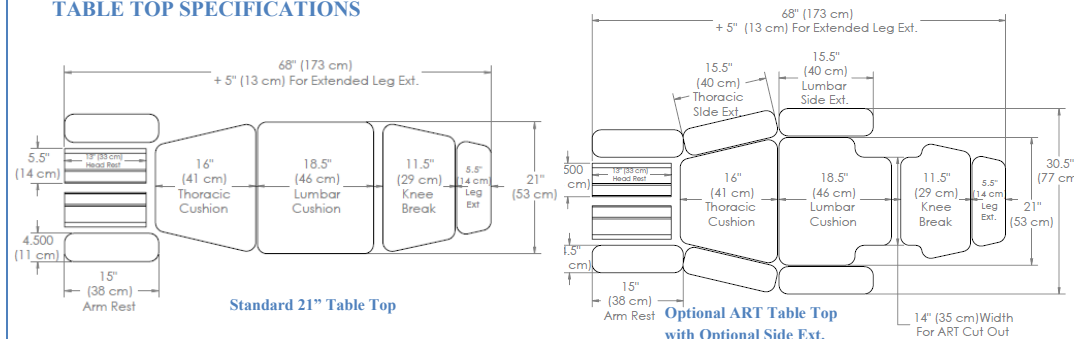
STANDARD FEATURES

- 21" wide adjusting surface
- Standard height 19"-26" (48cm-66cm)
- Electric Elevations with 2 foot pedals included (TT-525-E only)
- High density foam
- Multidirectional head piece (elevation and tilt, two split cushions with arm rests)
- Adjustable thoracic breakaway section (breakaway and elevate)
- Elevating thoracic, lumbar and knee break sections with leg extension
- Levelling floor glides
- Sturdy steel construction
- Wide assortment of colours in health care grade upholstery
- Table is fully upgradeable at any time, upgrades simply bolt on
- Foot activated drops with pedals located on both sides of the table (when drop section is added)

OPTIONS

- **TT-200** Cervical drop section
- **TT-202-3** Thoracic elevating drop section (hand activated)
- **TT-203-1** Lumbar elevating drop section (foot activated)
- **TT-203-2** Lumbar drop section (drop only) (foot activated)
- Table can be custom made to specific needs
- Inter-changeable head rest

TABLE TOP SPECIFICATIONS



TT-525-E
BREAKAWAY TREATMENT TABLE
Shown with 3 optional drop sections



TT-550

Multi-Therapist Treatment Table

TT Techniques
Tables.com



OVERVIEW

The Newly redesigned Techniques TT-550 Multi-Therapist Treatment Table is designed for today's multidisciplinary or rehabilitation practice. This "hybrid" table is a chiropractic, osteopathic, massage, physiotherapy, acupuncture, naturopath, podiatry table or chair combined into one. The multiple functions of this unique treatment table makes it ideal for clinics where multiple practitioners share a room and treatment table.

The TT-550 Multi-Therapist Treatment Table is manufactured with the highest grade materials for durability and reliability. The new modern designed base along with welded steel construction make for a strong and sturdy frame. The cushions are made with a premium health care grade upholstery and come with a standard medium density foam to allow for maximum patient comfort yet still provide a firm surface for easy adjusting. This table can also be customized to accommodate any health care practitioners needs.

TT-550-P
MULTI-THERAPIST TREATMENT TABLE
Shown with standard features plus optional
thoracic and lumbar drop sections

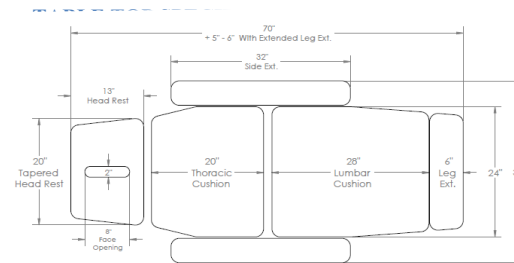


STANDARD FEATURES

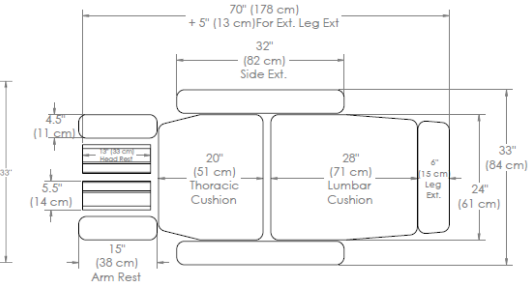
- 24" (61cm) wide treatment surface
- Standard height 24.5"-31.5" (62-80cm)
- Electric Elevations with 2 foot pedals included (TT-550-E only)
- Medium density foam
- Tilting one piece cushion head rest with face cradle
- Back Rest (allows the therapist to use the table as both an examination table and chair)
- Thoracic and lumbar elevating section with leg rest extension
- Levelling floor glides
- Sturdy steel construction
- Wide assortment of colours in health care grade upholstery
- Table is fully upgradeable at any time, upgrades simply bolt on

OPTIONS

- **TT-200** Cervical drop section (chiropractic head rest style only)
- **TT-202-4** Thoracic elevating drop section (foot activated)
- **TT-204-1** MT lumbar elevating drop section (hand activated)
- **TT-204-2** MT lumbar drop section (drop only) (hand activated)
- **TT-251** Chiropractic style head rest (elevation & tilt. 2 split cushions with arm rests)
- **TT-262** MT Side extensions (2 cushions used to widen the table surface as needed & turn into chair arms when back rest is in up position)
- **TT-280** High density foam optional height 21"-28" (53cm-71cm)(TT-550-E only)
- Table can be custom made to specific needs
- Inter-changeable head rest



Standard top with side extensions



Standard top with chiropractic style head rest & side extensions

TT-550-E
MULTI-THERAPIST TREATMENT TABLE
Shown with chiropractic head rest plus optional
cervical, thoracic and lumbar drop sections



TT-400

Treatment Table

TT Techniques
Tables.com

chiroform[®]

OVERVIEW

The Newly redesigned Techniques TT-400 Treatment Table offers better performance with smooth, quick, quiet and easier to engage drop sections, which derived through extensive research while participating in Thompson Technique Seminars. These treatment tables are ideal for any practitioner who does not require the need to continuously adjust the table height. The table height can be manually adjusted to a height that best suits individual practitioners needs. All Techniques Tables are manufactured with the highest grade materials for durability and reliability. The new modern designed base along with welded steel construction make for a strong and sturdy frame. All cushions are made with a premium health care grade upholstery and high density foam allowing for minimal effort adjusting, while providing maximum patient comfort.

With many different features and options available, this table is suitable for many uses, such as Chiropractic, Osteopathic, Naturopathic, Acupuncture, ART and can also be customized to accommodate any health care practitioners needs.

This stylish modern treatment table will enhance the appearance of any existing

TT-400
TREATMENT TABLE
Shown with 4 optional Drop Sections

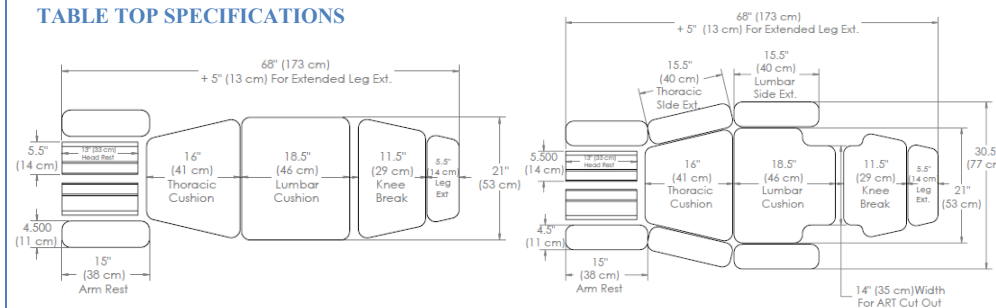
STANDARD FEATURES

- 21" (53cm) wide adjusting surface
- Manually adjustable table height 18" - 24"(46cm-61cm)
- High density foam
- Multidirectional head piece (elevation and tilt. With 2 split cushions with arm rests)
- Elevating pelvic, lumbar and knee break sections with leg extension
- Foot activated drops with pedals located on both sides of the table (when drop section is added)
- Levelling floor glides
- Sturdy steel construction
- Wide assortment of colours in health care grade upholstery
- Table is fully upgradeable at any time, upgrades simply bolt on

OPTIONS

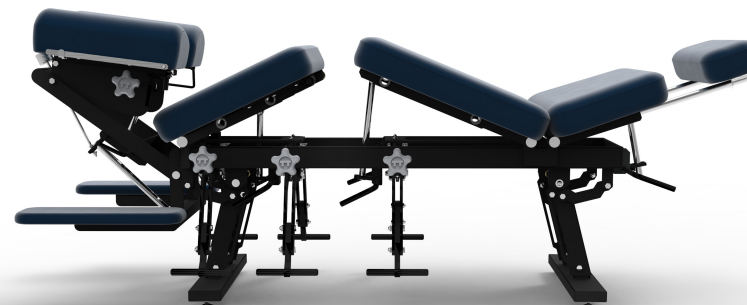
- **TT-200** Cervical drop section
- **TT-201** Upper thoracic drop section
- **TT-202-1** Thoracic elevating drop section
- **TT-202-2** Thoracic drop section (drop only)
- **TT-203-1** Lumbar elevating drop section
- **TT-203-2** Lumbar drop section (drop only)
- **TT-260** Side extensions (4 cushions widen the table surface area when needed)
- Table can be custom made to specific needs
- Custom Top Selection available

TABLE TOP SPECIFICATIONS



Standard 21" Table Top

Optional ART Table Top
with Optional Side Ext.



TT-600

Portable Treatment Table

TT Techniques
Tables.com

chiroform[®]

OVERVIEW

The Techniques 600 series treatment tables are a line of high quality, strong and durable portable tables. These unique tables are hand crafted in Canada. All TT-600 portable tables begin with a solid multi layer ply base topped with a high quality, high density foam padding. The tables are then wrapped with a durable and luxurious health care grade upholstery and the back is covered with a black decking for a clean finished look. The cushions are assembled with solid aluminium brackets along with steel hinges and affixed to sturdy, easy to set up steel legs. This popular portable table is equipped with a leg extension, padded arm rests and an infinitely adjustable head rest which includes a paper holder, paper guide and paper cutter.

Easy to set up and simple to fold, this table also offers a soft foam handle and shoulder strap to easily carry from one location to the next. The durability, portability and features of this table makes it ideal for many uses, such as Chiropractic, Osteopathic, Naturopathic, for students and new grads, as an overflow table or for working outside the office.

TT-600 PORTABLE TABLE



STANDARD FEATURES

- Infinitely adjustable padded headrest
- Leg extension
- Arm rests
- Paper dispenser, guide and cutter
- High density 2.25" (6cm) foam
- Choice of height 18"-23" (46cm -58cm)
- Choice of 5 standard colours
- Light weight 31lbs (14kg)
- Maximum capacity 1000lbs (454kg)
- Adjustable shoulder strap

Standard available colours



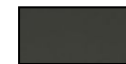
Black



Espresso



Royal Blue

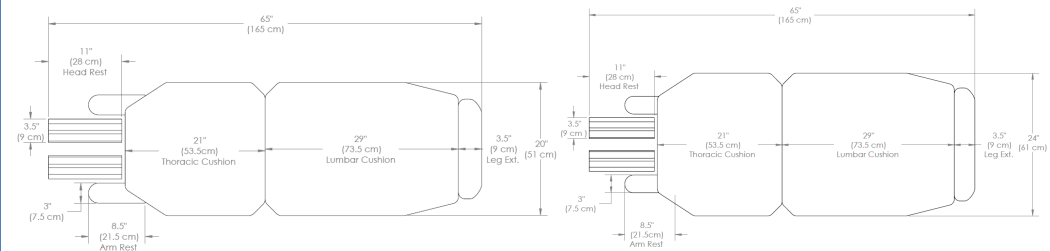


Charcoal



Red Maple

TABLE TOP SPECIFICATIONS



Standard Top

24" Width Top

OPTIONS

- **TT-602** 22" (56cm) Width
- **TT-604** 24" (61cm) Width
- **Portable Table Carry Bag**



Standard Table shown Folded



Standard Table shown Folded
in optional carry bag



400 Series

TT-400	Techniques Model 400 Treatment Table	DKK. 19792
TT-401	Techniques Model 401 Treatment Bench	DKK. 16600

Options

(Only TT-200,Cervical drop section available for Model 401)

TT-200	Cervical drop section	DKK. 2449
TT-201	Upper Thoracic drop section	DKK. 3234
TT-202-1	Thoracic elevating drop section	DKK. 3881
TT-202-2	Thoracic drop section (drop only)	DKK. 3234
TT-203-1	Lumbar elevating drop section	DKK. 3881
TT-203-2	Lumbar drop section (drop only)	DKK. 3234
TT-260	Side extensions (4 cushions)	DKK. 3003

500 Series

TT-500	Techniques Model 500 Treatment Table	DKK. 27016
TT-500-P	Techniques Model 500 Treatment Table (Pump elevation)	DKK. 29536
TT-500-E	Techniques Model 500 Treatment Table (Electric elevation)	DKK. 35248

TT-501	Techniques Model 501 Treatment Bench	DKK. 24160
TT-501-P	Techniques Model 501 Treatment Bench (Pump elevation)	DKK. 26680
TT-501-E	Techniques Model 501 Treatment Bench (Electric elevation)	DKK. 28392

TT-525	Techniques Model 525 Breakaway Table	DKK. 29368
TT-525-P	Techniques Model 525 Breakaway Table (Pump elevation)	DKK. 31846
TT-525-E	Techniques Model 525 Breakaway Table (Electric elevation)	DKK. 37558

TT-550	Techniques Model 550 Multi-Therapist Table	DKK. 25336
TT-550-P	Techniques Model 550 Multi-Therapist Table (Pump elevation)	DKK. 27856
TT-550-E	Techniques Model 550 Multi-Therapist Table (Electric elevation)	DKK. 33568

Options (500 and 525 Models)

TT-200	Cervical drop section	DKK. 2449
TT-201	Upper Thoracic drop section (TT-500 only)	DKK. 3234
TT-202-1	Thoracic elevating drop section (TT-500 only)	DKK. 3881
TT-202-3	Thoracic elevating drop section (hand activated)(TT-525 only)	DKK. 3881
TT-203-1	Lumbar elevating drop section	DKK. 3881
TT-260	Side extensions (4 cushions) (TT-500 only)	DKK. 3003

Options (TT-550 Model)

TT-200	Cervical drop section (Chiropractic style head rest only)	DKK. 2449
TT-202-4	Thoracic elevating drop section (foot activated)	DKK. 3881
TT-204-1	Multi-Therapist Lumbar elevating drop section (hand activated)	DKK. 3881
TT-251	Chiropractic style head rest (2 split cushions with arm rests)	DKK. 3881
TT-262	Multi-Therapist side extensions (2 cushions turn into arm rests)	DKK. 3003

700 Series

TT-700	Techniques Model 700 Treatment Table	DKK. 39196
--------	--------------------------------------	------------

TT-701	Techniques Model 701 Treatment Bench	DKK. 36340
--------	--------------------------------------	------------

TT-750	Techniques Model 750 Multi-Therapist Table	DKK. 37516
--------	--------------------------------------------	------------

Options (700 Model)

TT-200	Cervical drop section	DKK. 2449
TT-201	Upper Thoracic drop section	DKK. 3234
TT-202-1	Thoracic elevating drop section	DKK. 3881
TT-203-1	Lumbar elevating drop section	DKK. 3881
TT-260	Side extensions (4 cushions)	DKK. 3003

Options (750 Model)

TT-200	Cervical drop section (Chiropractic style head rest only)	DKK. 2449
TT-202-4	Thoracic elevating drop section (foot activated)	DKK. 3881
TT-204-1	Multi-Therapist Lumbar elevating drop section (hand activated)	DKK. 3881
TT-251	Chiropractic style head rest (2 split cushions with arm rests)	DKK. 3650
TT-262	Multi-Therapist side extensions (2 cushions turn into arm rests)	DKK. 3003

600 Series

TT-600	Techniques Portable Table 20" width — Standard - (Includes Carry Bag & Shoulder Strap)	DKK. 4759
--------	----------------------------------------------------------------------------------------	-----------

TT-602	Techniques Portable Table 22" width (Includes Carry Bag & Shoulder Strap)	DKK. 5221
--------	---------------------------------------------------------------------------	-----------

TT-604	Techniques Portable Table - 24" width (Includes Carry Bag & Shoulder Strap)	DKK. 5221
--------	-----------------------------------------------------------------------------	-----------

Accessories

TT-100-U	Techniques Therapy Stool (premium upholstery)	Kontakt for pris
----------	-----------------------------------------------	------------------

TT-110	Techniques Tables SOT Blocks (2 blocks per set)	Kontakt for pris
--------	-------------------------------------------------	------------------

TT-120	Techniques Tables Anterior Board	Kontakt for pris
--------	----------------------------------	------------------

TT-130	Techniques Table Leg Support Wedge (24" L x 20" W x 10.5" H-Black)	DKK. 693
--------	--------------------------------------------------------------------	----------

Priser

All priser er ekskl. moms.

Der tages forbehold for prisændringer, udgåede varer og leverancesvigt fra tredjepart.